

MANUAL GAS ADJUSTER GAF SERIES

INTRODUCTION

The GAF gas adjusters are designed to provide an accurate flow control. The conical needle or cylindrical plug valve has a micrometric adjusting stem and allows excellent regulation capabilities even at reduced flows. A GAF gas adjuster can be accurately adjusted with a screwdriver. A seal cap protects the adjustment screw and prevents leakage.

APPLICATIONS

- Micrometric flow regulation for non aggressive fluid: i.e., natural gas, LPG, air, Nitrogen, etc...

CHARACTERISTICS

- | | |
|---|-------------------|
| • Valve body: | cast iron G25 |
| • Piston and rising stem: | galvanized AVP |
| • Cap: | aluminium/AVP |
| • "O" ring seal | VITON |
| • Max. operating pressure: | 350 mbar |
| • Fluid temperature: | - 30°C +180°C |
| • Size from \varnothing 1/2" to \varnothing 4" | according ISO 7/1 |
| • Gas adjusters can be supplied for threaded or flanged connections, with pressure tap. | |

INSTALLATION

- It is recommended to mount adjusting valves downstream the measuring device.
- Check that there are no bodies inside the valve seat before installation, if necessary purge the GAF with compressed air.
- Disassemble the connection flanges of the gas adjuster (inlet/outlet) and install on the pipeline. Assemble the GAF checking the proper tightness of the gaskets.
- Verify that pressure taps are closed and tight.



F160101



F160102

REGULATION

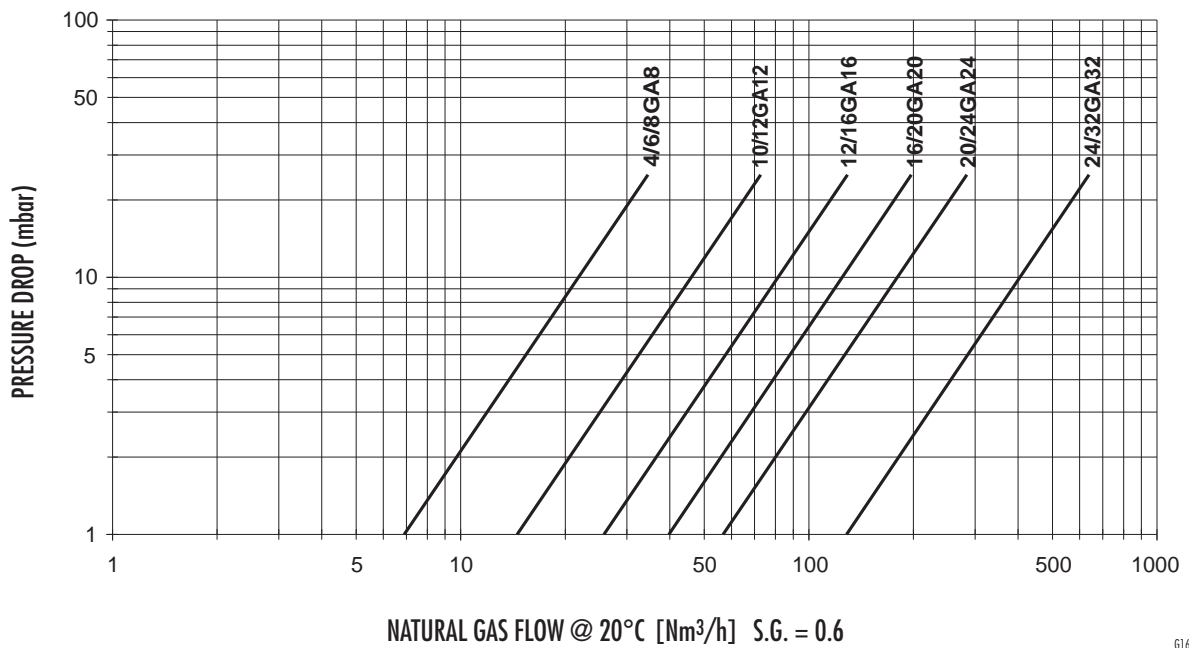
The regulation of the flow rate is accomplished by acting on the stem of the valve which has been screwed on. Remove the plug and adjust the stem position with a screwdriver.

- "Extract" the stem to increase the flowrate
- "Insert" the stem to decrease the flow rate

The gas adjuster's stem is provided with positioners for maximum opening/closure

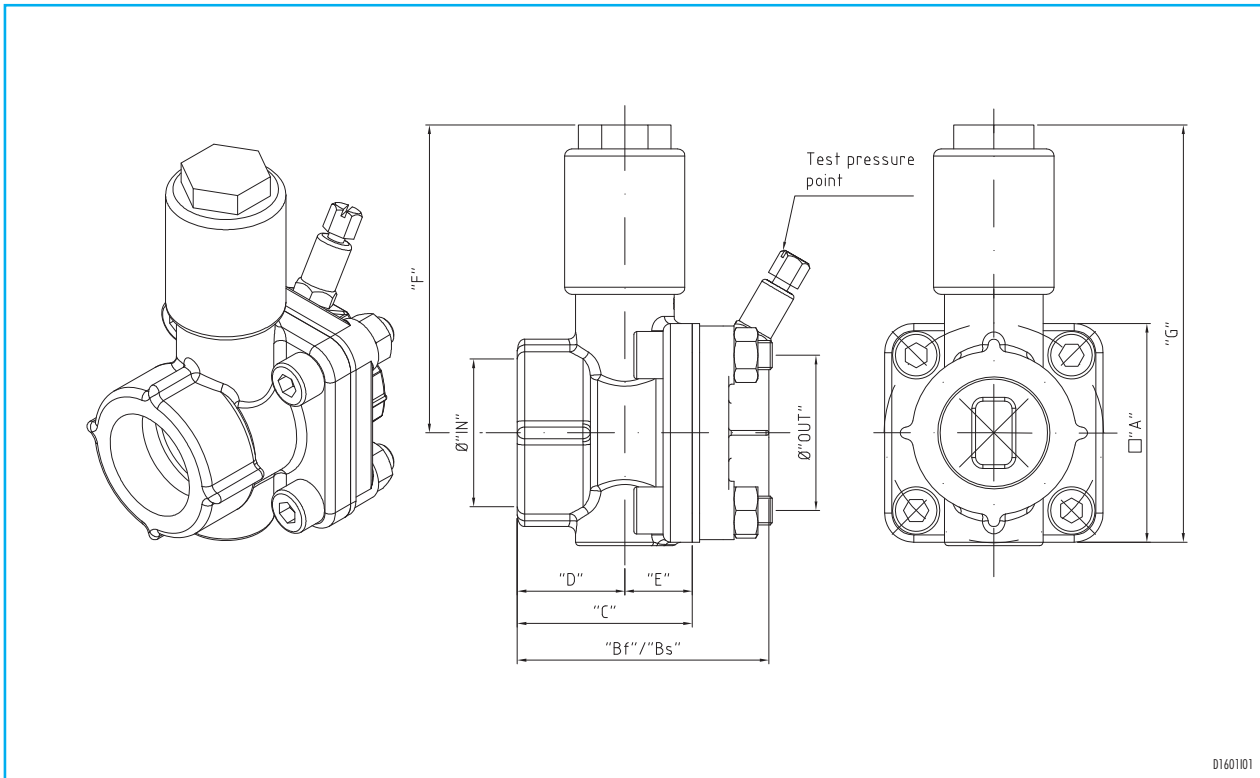


CAPACITY TABLE



G1601101

DIMENSIONS



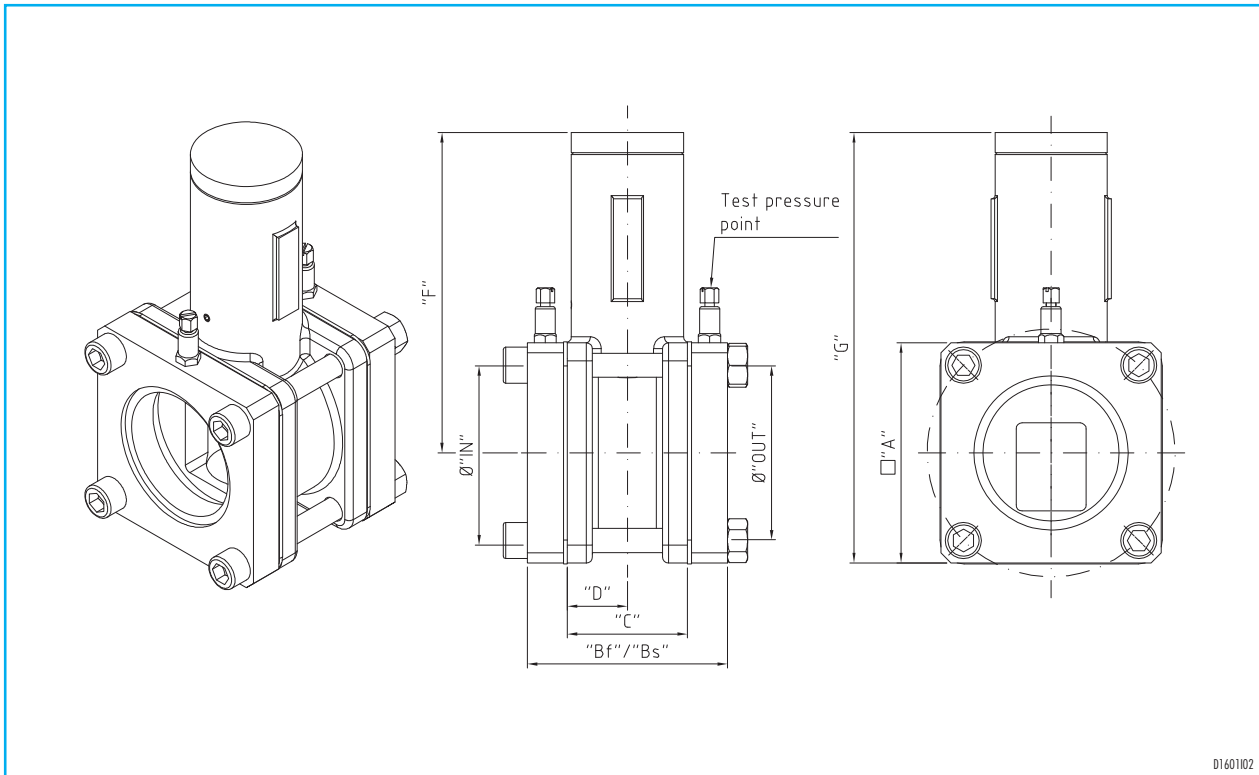
D160101

Model	ø IN	ø OUT	A mm	Bf** mm	Bs** mm	C mm	D mm	E mm	F mm	G mm	Mass kg
4GAF6	G - 1/2"	G - 3/4"	60	69	68	48	30	18	85	115	1
6GAF6	G - 3/4"	G - 3/4"	60	69	68	48	30	18	85	115	1
6GAF8	G - 3/4"	G - 1"	60	69	68	48	30	18	85	115	1
8GAF8	G - 1"	G - 1"	60	69	68	48	30	18	85	115	1
10GAF10	G - 1.1/4"	G - 1.1/4"	76	90.5	80	60	40	20	107	145	2
10GAF12	G - 1.1/4"	G - 1.1/2"	76	90.5	80	60	40	20	107	145	2
12GAF12	G - 1.1/2"	G - 1.1/2"	76	90.5	80	60	40	20	107	145	2

Bf** = Dimension with threaded flanges

Bs** = Dimension with welding flanges

DIMENSIONS



D160102

Model	ø IN	ø OUT	A mm	Bf** mm	Bs** mm	C mm	D mm	F mm	G mm	Mass kg
12GAF16	G - 1.½"	G - 2"	90	104	80	40	20	121	166	3.9
16GAF16	G - 2"	G - 2"	90	104	80	40	20	121	166	3.9
16GAF20	DN50	DN65	100	-	95	55	27.5	150	200	5.5
20GAF20	DN65	DN65	100	-	95	55	27.5	150	200	5.5
20GAF24	DN65	DN80	110	-	100	60	30	160	215	7.6
24GAF24	DN80	DN80	110	-	100	60	30	160	215	7.6
24GAF32	DN80	DN100	150	-	115	75	37,5	227	302	16.5
32GAF32	DN100	DN100	150	-	115	75	37.5	227	302	16.5

Bf** = Dimension with threaded flanges

Bs** = Dimension with welding flanges