

T-100NE



System-6® Super Ball™ Valve



ISO EN 9001:2000



T-100NE

Description

System 6® SuperBall™ - 1/4 turn, lever operated, hot forged brass ball valve. 100% full port. Blow-out proof two-piece design. Made in Italy. 100% tested.

Features

- 2 Viton® Stem O-rings
- Hostafion® TFM-1600 Packing and Seats
- Ecological washed
- Solid TEA coated brass ball
- 100% Full Port

Approvals

- UL Listed VOGU, MHKZ, YQNZ, YRBX, YRPV, YSDT, UL 842
- FM approval
- CSA Certified
- Delta C
- NSF 61-8 Certified (1/4" - 2") - tested at 180° F (commercial hot water)
- NPT connections

Accessories

- "Lift-N-Lock" locking device
- 2" Handle extension
- Lever and Round 304 stainless steel handles
- "Slo-Ball" Handle (for metering under high pressures)
- Red Painted Aluminum "T" Handle
- Pneumatic & Electric Actuation Available upon request

Warranty

The Company, for a period of one year from the date of shipment, warrants each product or system of its own manufacture to the original purchaser to be free from defects in material and workmanship under normal use, service and maintenance.

Architect/Engineer approval

Job Name _____ Date _____
Model Specified _____ Quantity _____
Variations Specified _____
Customer/Wholesaler _____
Contractor _____
Architect _____

Note: Information subject to change without notice.



Jomar International Ltd.
7243 Miller Drive
Warren, MI 48092
Phone: 800-325-5690
Fax: 800-628-4194
www.jomar.com

© Copyright 2006 Printed in U.S.A.
T/S-100NE
04/06

System-6® Super Ball™ Valve



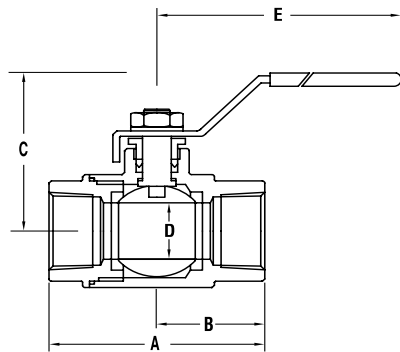
Description

System 6® SuperBall™ - 1/4 turn, lever operated, hot forged brass ball valve. 100% full port. Blow-out proof two-piece design. Made in Italy. 100% tested.

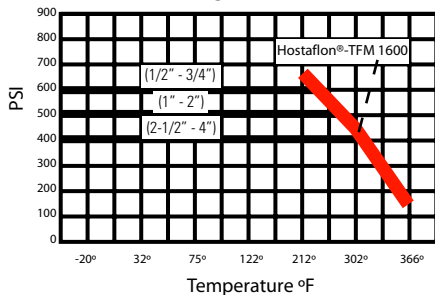
Dimensions in Inches

Computer No.	Valve Size	A	B	C	D	E	CV†
100-701	1/4"	1.81	0.91	1.41	0.39	2.95	11.84
100-702	3/8"	1.85	0.93	1.41	0.39	2.95	11.84
100-703	1/2"	2.48	1.24	1.53	0.59	2.95	20.25
100-704	3/4"	2.71	1.36	1.93	0.79	3.74	41.83
100-705	1"	3.30	1.65	2.40	1.00	4.72	78.38
100-706	1-1/4"	3.78	1.89	2.59	1.25	4.72	132.10
100-707	1-1/2"	4.17	2.09	3.22	1.57	5.90	206.96
100-708	2"	5.00	2.50	3.50	2.00	5.90	346.00
100-709	2-1/2"	6.06	3.03	4.72	2.48	2.50	484.39
100-710	3"	7.08	3.54	5.31	2.99	3.00	638.50
100-711	4"	8.66	4.33	5.90	3.93	4.00	1092.00

† The CV Factor is the gallons of water per minute passed through the valve with a 1 PSI pressure drop.



Valve Seat Rating



WARNING: T/S-100-NE valves are designed for temperatures up to 366°F, utilizing low pressure steam at 150 WSP MAXIMUM

Note: Information subject to change without notice.

Material Specifications

No.	Part Name	Materials
1	Body	Ecologically Washed Forged Brass
2	End Adapter	Ecologically Washed Forged Brass
3	Ball	Solid TEA Coated Brass Ball
4	Seat (2)	Hostafion®-TFM 1600
5	Stem	Extruded Brass
6	Stem Packing	Hostafion®-TFM 1600®
7	Stem O-Rings, (2)	Viton®
8	Gland Follower	Extruded Brass
9	Lever Handle	Dacromet Coated Steel
10	Handle Nut	Dacromet Coated Steel

Viton is a registered trademark of DuPont Company
Hostafion is a registered trademark of Hoechst AG Frankfurt

Pressure Rating

1/4" - 3/4"	600 lbs. W.O.G. Non Shock
1" - 2"	500 lbs. W.O.G. Non Shock
2-1/2" - 4"	400 lbs. W.O.G. Non Shock
All Sizes:	150 WSP

