



Full Port Brass Ball Valve



Description

1/4 turn lever handle operated, hot forged brass, economical ball valve. 100% full port. Blowout proof stem and 2-piece body design.

Features

- Pressure rating: 600 WOG / 150 WSP
- 100% Full port
- Gland follower and single O-ring stem design
- Teflon seats and stem packing
- 100% tested in U.S.A.
- Temperature Range: (1/4" - 4") -40°F to +300°F

Approvals

- CSA certified up to 125 PSIG
- UL listed MHKZ, YRPV
- FM approved

Warranty

The Company, for a period of one year from the date of shipment, warrants each product or system of its own manufacture to the original purchaser to be free from defects in material and workmanship under normal use, service and maintenance.

Architect/Engineer approval

Job Name _____ Date _____
Model Specified _____ Quantity _____
Variations Specified _____
Customer/Wholesaler _____
Contractor _____
Architect _____

Note: Information subject to change without notice.



Jomar International Ltd.
7243 Miller Drive
Warren, MI 48092
Phone: 800-325-5690
Fax: 800-628-4194
www.jomar.com

Full Port Brass Ball Valve

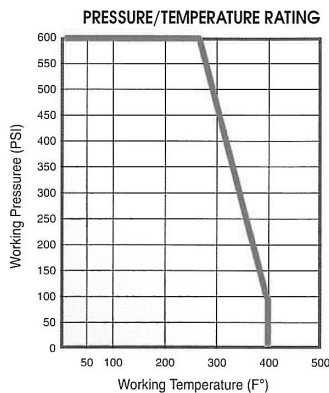


Description

1/4 turn lever handle operated, hot forged brass, economical ball valve. 100% full port. Blowout proof stem and 2-piece body design.

Dimensions in Inches

Computer No.	Valve Size	A	B	C
JF-100T				
100-101	1/4"	1.73	1.67	3.35
100-102	3/8"	1.75	1.67	3.35
100-103	1/2"	2.28	1.81	3.35
100-104	3/4"	2.51	2.36	4.29
100-105	1"	2.97	2.52	4.29
100-106	1-1/4"	3.43	2.52	5.63
100-107	1-1/2"	3.86	2.80	5.63
100-108	2"	4.29	3.11	5.63
100-109	2-1/2"	5.59	4.29	7.76
100-110	3"	6.42	4.85	8.35
100-111	4"	7.68	5.71	9.26
JF-100S				
100-113	1/2"	2.17	1.81	3.35
100-114	3/4"	2.80	2.36	4.29
100-115	1"	3.27	2.52	4.29
100-116	1-1/4"	4.10	2.52	5.63
100-117	1-1/2"	4.33	2.80	5.63
100-118	2"	5.34	3.11	5.63
100-119	2-1/2"	6.78	4.29	7.76
100-120	3"	7.13	4.85	8.35
100-121	4"	9.61	5.71	9.26

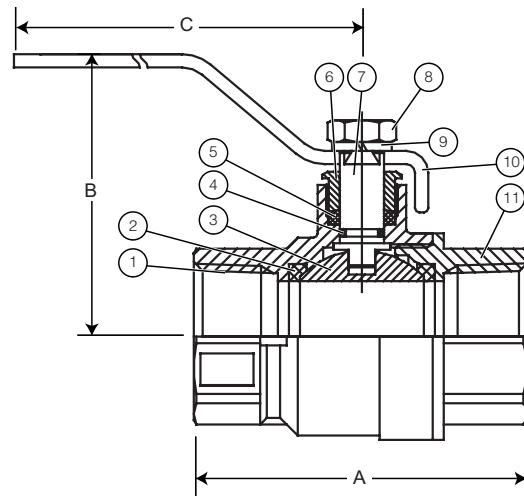


Material Specification

No.	Part Name	Materials
1	Body	Forged Brass ASTM C37700
2	Seat (2)	Teflon
3	Chrome Plated Ball	Forged Brass ASTM C37700
4	Stem O-Ring	Viton®
5	Stem Packing	Teflon
6	Packing Nut	Forged Brass ASTM C37700
7	Stem	Forged Brass ASTM C37700
8	Handle Nut	Chrome Plated Steel
9	Lock Washer	Chrome Plated Steel
10	Handle	Chrome plated Steel
11	End-Piece	Forged Brass ASTM C37700

Pressure Rating

600 WOG Non Shock
150 WSP



Note: Information subject to change without notice.



Jomar International Ltd.
7243 Miller Drive
Warren, MI 48092
Phone: 800-325-5690
Fax: 800-628-4194
www.jomar.com