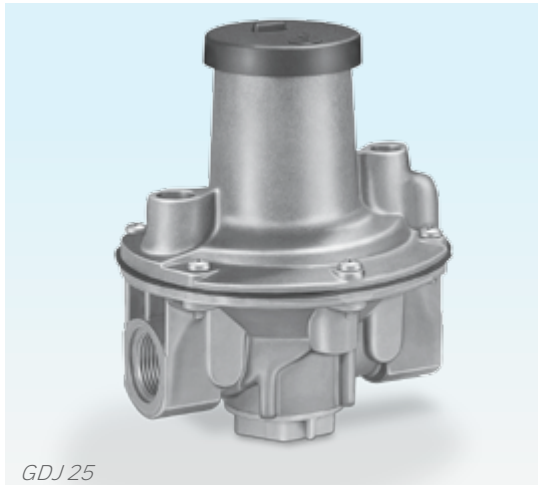


GDJ

ERC CE **Gas pressure regulator**

- Universal pressure regulator for gaseous media
- Design with inlet pressure compensation diaphragm ensures high control accuracy
- Internal impulse
- No breather line required
- EC type-tested and certified

Application



GDJ 25

The spring-loaded gas pressure regulator GDJ with inlet pressure compensation diaphragm and zero shut-off serves to maintain the set outlet pressure constant despite changing gas flow rates and inlet pressures in gas pipelines. Thanks to an additional safety diaphragm, no breather line is required.

For controlling the pressure of the gas and air supply to gas burners and gas appliances in industry and the heating sector.

Examples of application



Bogie hearth furnace



Roller hearth furnace



Bogie hearth furnace

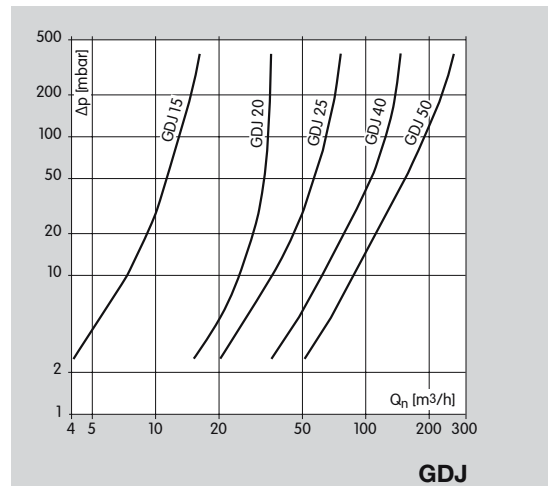
Type code

Code	Description
GDJ	Gas pressure regulator
15, 20, 25, 40, 50	Nominal size
T	T-product
R	Rp internal thread
N	NPT internal thread
04	$p_{u \max.}$ 400 mbar (5.8 psig)
-0	Without pressure test point
-4 ¹⁾	Pressure test point at the inlet
L ²⁾	For air only (without approval)

¹⁾ Not for T-product.

²⁾ If "none", this letter is omitted.

Flow rate



Technical data

Gas types: natural gas, town gas, LPG (gaseous) and biologically produced methane (max. 0.02 %-by-vol. H₂S), GDJ..L also for air. The medium must be dry in all temperature conditions and must not contain condensate.

Inlet pressure range up to 400 mbar (5.8 psig).

Outlet pressure ranges:

GDJ 15: 2 to 55 mbar (0,8 bis 22 "WC),

GDJ 20 – 40: 5 to 160 mbar (2 bis 64 "WC),

GDJ 50: 5 to 100 mbar (2 bis 40 "WC).

Control range: 10:1.

Ambient temperature:

-20 to +60°C (-4 bis 140 °F).

Storage temperature:

-20 to +40°C (-4 bis 104 °F).

Valve housing: aluminium.

Valve seat: aluminium.

Valve disc: plastic.

Valve disc seal: Perbunan.

Diaphragms: Perbunan.

When used for air: special version.

Internal thread: Rp to ISO 7-1.

Maintenance cycles

At least once a year, at least twice a year in the case of biologically produced methane.

Contact

www.kromschroeder.com → Process Heat → Sales
 Elster GmbH
 Strothweg 1 · 49504 Lotte (Büren)
 Germany
 Tel. +49 541 1214-0
 info@kromschroeder.com
 www.kromschroeder.com

Technical Information bulletin for this product

www.docuthek.com
 Search term: GDJ

We reserve the right to make technical modifications in the interests of progress.
 Copyright © 2016 Elster GmbH
 All rights reserved.

Honeywell
kromschroeder